

Living up to Life

*Leica*  
MICROSYSTEMS

# Leica M205 A, M205 C, M165 C & M125

Stereomicroscopes | Technical Information



# Performance characteristics

## Specifications



	Leica M125	Leica M165 C	Leica M205 C / M205 A
<b>Optical Data</b>	12.5:1 manual	16.5:1 manual	20.5:1 manual/motorized with FusionOptics™
Zoom			
Data with standard optics (1× objective/10× eyepieces) – Zoom range – Resolution – Working distance – Object field	8×–100× max. 432lp/mm 61.5 mm (planapochromatic) ∅ 28.8mm–2.3mm	7.3×–120× max. 453lp/mm 61.5mm (planapochromatic) ∅ 31.5 mm–1.92 mm	7.8×–160× max. 525lp/mm 61.5 mm (planapochromatic) ∅ 29.5 mm–1.44 mm
Maximum values (based on optics combination) – Magnification – Resolution – Visible structural width – Numerical aperture – Object field	800× 864 lp/mm 579 nm 0.288 ∅ 68 mm	960× 906 lp/mm 551 nm 0.302 ∅ 63 mm	1280× 1050 lp/mm 476 nm 0.35 ∅ 59 mm
Working distances	135 mm (0.5× planachromatic) 112 mm (0.8× planachromatic) 67 mm (0.63× planapochromatic) 61.5 mm (1× planapochromatic) 30.5 mm (1.6× planapochromatic) 20.1 mm (2× planapochromatic)	135 mm (0.5× planachromatic) 112 mm (0.8× planachromatic) 67 mm (0.63× planapochromatic) 61.5 mm (1× planapochromatic) 30.5 mm (1.6× planapochromatic) 20.1 mm (2× planapochromatic)	135 mm (0.5× planachromatic) 112 mm (0.8× planachromatic) 67 mm (0.63× planapochromatic) 61.5 mm (1× planapochromatic) 30.5 mm (1.6× planapochromatic) 20.1 mm (2× planapochromatic)
<b>Optics carrier</b>			
100% apochromatic optical system	CMO (Common Main Objective) lead-free	CMO (Common Main Objective) lead-free	CMO (Common Main Objective) lead-free
Coded/motorized function	–	Zoom, iris diaphragm, objective nosepiece (coded only)	Zoom, iris diaphragm, objective nosepiece (encoded and motorized)
Specific surface resistivity (housing)	2×10 <sup>11</sup> Ω/mm <sup>2</sup> discharge time <2 seconds from 1000V to 100V	2×10 <sup>11</sup> Ω/mm <sup>2</sup> discharge time <2 seconds from 1000V to 100V	2×10 <sup>11</sup> Ω/mm <sup>2</sup> discharge time <2 seconds from 1000V to 100V
Engageable zoom notches	12 for repetitive tasks	13 for repetitive tasks	14 for repetitive tasks (M205 C) Continuously variable control with SmartTouch™ or LAS (M205 A)
Double-iris diaphragm for depth of field control	Built-in	Built-in and encoded	Installed and encoded (M205 C) / motorized (M205 A)

Accessories	Leica M125	Leica M165 C	Leica M205 C / M205 A
Standard objective (parfocal in the objective nosepiece)	1× planapochromatic		
Additional objectives (parfocal in the objective nosepiece)	2× planapochromatic, 1.6× planapochromatic, 0.63× planapochromatic,		
Objective revolver, parfocal 0.63×–2× planapochromatic, coded	Fast magnification change 5.12×–200×, parfocal	Fast magnification change 4.67×–240×, parfocal	Fast magnification change 4.99×–320×, parfocal
Binocular tubes, ergonomics	– Apochr. binocular and trinocular tubes with synchronized interpupillary distance adjustment – Various ErgoModules™ (optional)		
Interpupillary distance	50mm – 105mm with the new trinocular ErgoTube®		
Wide-field eyepieces for eyeglass wearers	10×, 16×, 25×, 40×, with replaceable eyecups & click stop		
Manual coarse/fine focus	Focusing range 130 mm / 130 mm, adjustable ease of movement		
Microscope carrier AX for stereo or vertical observation	For convergence-free imaging without lateral shift of the specimen		
PC interface	–	USB	USB

## Modular System

	Leica M125, M165 C, M205 C & M205 A
	<b>Stands, illuminators</b>
Transmitted-light base	For bright field and bright/dark field, high-performance base: Bright field, single-sided dark field, with Rottermann Contrast and CCIC
Incident-light base	Large incident-light base with black-and-white stage insert and Antishock™ feet
Stages	Gliding stage, MATS heating stage, cup stage, rotatable polarization stage, Leica IsoPro™ Cross-stage (manual and motorized)
Illuminators	LED5000 MCI™ and LED5000 RL, fluorescence, oblique, coaxial, cold light sources
	<b>Misc. accessories</b>
Photography, video	Digital image capture systems from Leica, various camera variants (e.g. integrated and external), various adapters for commercially available analog and digital cameras
Image archiving, image processing	Leica Application Suite (LAS) software, consisting of basic program and various auxiliary modules
Measurement reticules	For length measurements and counting
Vertical and oblique observation	45° side view around the complete object
Drawing tube	for left and right-handed users
Discussion tube for training for two observers	for two observers

# Leica M125 Optical Data

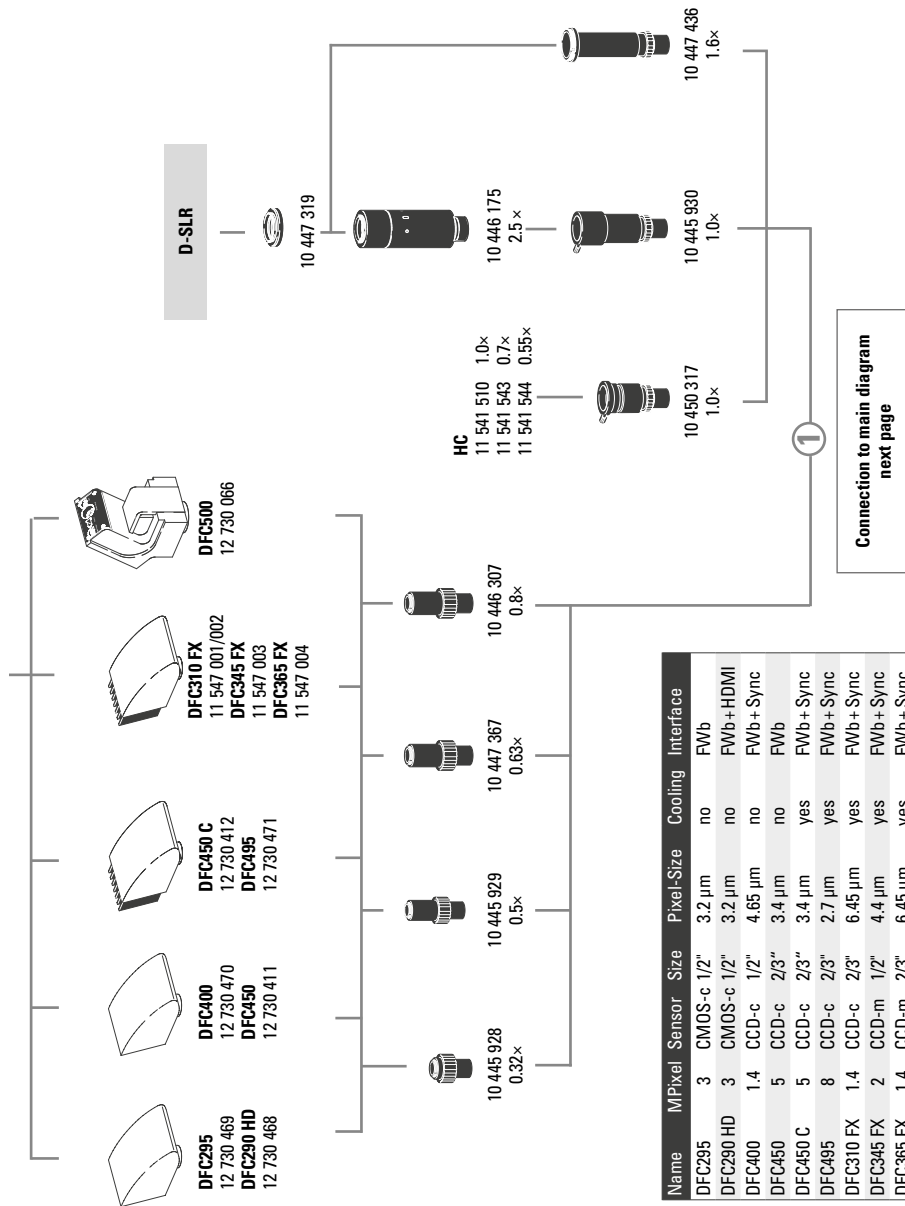
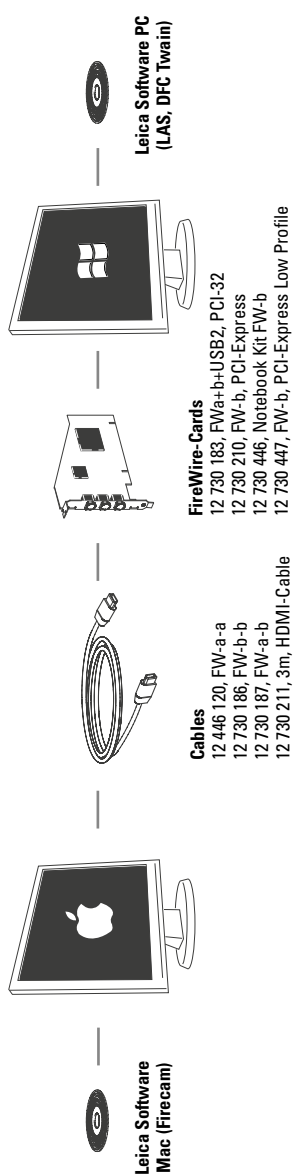
Objectives		0.5× planachromatic		0.63× planapochromatic		0.8× planachromatic		1× planachromatic	1× planapochromatic	1.6× planapochromatic		2× planapochromatic	
Working distances		135 mm		97 mm	67 mm	112 mm		59 mm	61.5 mm	30.5 mm		20.1 mm	
Eyepieces	Zoom setting	Total mag.	Object field Ø	Total mag.	Object field Ø	Total mag.	Object field Ø	Total mag.	Object field Ø	Total mag.	Object field Ø	Total mag.	Object field Ø
		×	mm	×	mm	×	mm	×	mm	×	mm	×	mm
10×/23B	0.8	4	57.5	5.12	44.9	6.4	35.9	8	28.8	12.8	18	16	14.4
	1	5	46	6.4	35.9	8	28.8	10	23	16	14.4	20	11.5
	1.25	6.25	36.8	8	28.8	10	23	12.5	18.4	20	11.5	25	9.2
	1.6	8	28.8	10.2	22.5	12.8	18	16	14.4	25.6	8.98	32	7.19
	2	10	23	12.8	18	16	14.4	20	11.5	32	7.19	40	5.75
	2.5	12.5	18.4	16	14.4	20	11.5	25	9.2	40	5.75	50	4.6
	3.2	16	14.4	20.5	11.2	25.6	8.98	32	7.19	51.2	4.49	64	3.59
	4	20	11.5	25.6	8.98	32	7.19	40	5.75	64	3.59	80	2.88
	5	25	9.2	32	7.19	40	5.75	50	4.6	80	2.88	100	2.3
	6.3	31.5	7.3	40.3	5.7	50.4	4.56	63	3.65	101	2.28	126	1.83
8	40	5.75	51.2	4.49	64	3.59	80	2.88	128	1.8	160	1.44	
10	50	4.6	64	3.59	80	2.88	100	2.3	160	1.44	200	1.15	
16×/15B	0.8	6.4	37.5	8.19	29.3	10.2	23.4	12.8	18.8	20.5	11.7	25.6	9.38
	1	8	30	10.2	23.4	12.8	18.8	16	15	25.6	9.38	32	7.5
	1.25	10	24	12.8	18.8	16	15	20	12	32	7.5	40	6
	1.6	12.8	18.8	16.4	14.6	20.5	11.7	25.6	9.38	41	5.86	51.2	4.69
	2	16	15	20.5	11.7	25.6	9.38	32	7.5	51.2	4.69	64	3.75
	2.5	20	12	25.6	9.38	32	7.5	40	6	64	3.75	80	3
	3.2	25.6	9.38	32.8	7.32	41	5.86	51.2	4.69	81.9	2.93	102	2.34
	4	32	7.5	41	5.86	51.2	4.69	64	3.75	102	2.34	128	1.88
	5	40	6	51.2	4.69	64	3.75	80	3	128	1.88	160	1.5
	6.3	50.4	4.76	64.5	3.72	80.6	2.98	101	2.38	161	1.49	202	1.19
8	64	3.75	81.9	2.93	102	2.34	128	1.88	205	1.17	256	0.938	
10	80	3	102	2.34	128	1.88	160	1.5	256	0.938	320	0.75	
25×/9.5B	0.8	10	25	12.8	19.5	16	15.6	20	12.5	32	7.81	40	6.25
	1	12.5	20	16	15.6	20	12.5	25	10	40	6.25	50	5
	1.25	15.6	16	20	12.5	25	10	31.3	8	50	5	62.5	4
	1.6	20	12.5	25.6	9.77	32	7.81	40	6.25	64	3.91	80	3.13
	2	25	10	32	7.81	40	6.25	50	5	80	3.13	100	2.5
	2.5	31.3	8	40	6.25	50	5	62.5	4	100	2.5	125	2
	3.2	40	6.25	51.2	4.88	64	3.91	80	3.13	128	1.95	160	1.56
	4	50	5	64	3.91	80	3.13	100	2.5	160	1.56	200	1.25
	5	62.5	4	80	3.13	100	2.5	125	2	200	1.25	250	1
	6.3	78.8	3.17	101	2.48	126	1.98	158	1.59	252	0.992	315	0.794
8	100	2.5	128	1.95	160	1.56	200	1.25	320	0.781	400	0.625	
10	125	2	160	1.56	200	1.25	250	1	400	0.625	500	0.5	
40×/6B	0.8	16	15	20.5	11.7	25.6	9.38	32	7.5	51.2	4.69	64	3.75
	1	20	12	25.6	9.38	32	7.5	40	6	64	3.75	80	3
	1.25	25	9.6	32	7.5	40	6	50	4.8	80	3	100	2.4
	1.6	32	7.5	41	5.86	51.2	4.69	64	3.75	102	2.34	128	1.88
	2	40	6	51.2	4.69	64	3.75	80	3	128	1.88	160	1.5
	2.5	50	4.8	64	3.75	80	3	100	2.4	160	1.5	200	1.2
	3.2	64	3.75	81.9	2.93	102	2.34	128	1.88	205	1.17	256	0.938
	4	80	3	102	2.34	128	1.88	160	1.5	256	0.938	320	0.75
	5	100	2.4	128	1.88	160	1.5	200	1.2	320	0.75	400	0.6
	6.3	126	1.9	161	1.49	202	1.19	252	0.952	403	0.595	504	0.476
8	160	1.5	205	1.17	256	0.938	320	0.75	512	0.469	640	0.375	
10	200	1.2	256	0.938	320	0.75	400	0.6	640	0.375	800	0.3	

# Leica M165 C Optical Data

Objectives		0.5× planachromatic		0.63× planapochromatic		0.8× planachromatic		1× planachromatic	1× planapochromatic	1.6× planapochromatic		2× planapochromatic	
Working distances		135 mm		97 mm	67 mm	112 mm		59 mm	61.5 mm	30.5 mm		20.1 mm	
Eyepieces	Zoom setting	Total mag.	Object field Ø	Total mag.	Object field Ø	Total mag.	Object field Ø	Total mag.	Object field Ø	Total mag.	Object field Ø	Total mag.	Object field Ø
		×	mm	×	mm	×	mm	×	mm	×	mm	×	mm
10×/23B	0.73	3.65	63	4.67	49.2	5.84	39.4	7.3	31.5	11.7	19.7	14.6	15.8
	1.25	5	46	6.4	35.9	8	28.8	10	23	16	14.4	20	11.5
	1.6	8	28.8	10.2	22.5	12.8	18	16	14.4	25.6	8.98	32	7.19
	2	10	23	12.8	18	16	14.4	20	11.5	32	7.19	40	5.75
	2.5	12.5	18.4	16	14.4	20	11.5	25	9.2	40	5.75	50	4.6
	3.2	16	14.4	20.5	11.2	25.6	8.98	32	7.19	51.2	4.49	64	3.59
	4	20	11.5	25.6	8.98	32	7.19	40	5.75	64	3.59	80	2.88
	5	25	9.2	32	7.19	40	5.75	50	4.6	80	2.88	100	2.3
	6.3	31.5	7.3	40.3	5.7	50.4	4.56	63	3.65	101	2.28	126	1.83
	8	40	5.75	51.2	4.49	64	3.59	80	2.88	128	1.8	160	1.44
	10	50	4.6	64	3.59	80	2.88	100	2.3	160	1.44	200	1.15
	12	60	3.83	76.8	2.99	96	2.4	120	1.92	192	1.2	240	0.96
16×/15B	0.73	5.84	41.1	7.48	32.1	9.34	25.7	11.7	20.5	18.7	12.8	23.4	10.3
	1	8	30	10.2	23.4	12.8	18.8	16	15	25.6	9.38	32	7.5
	1.6	12.8	18.8	16.4	14.6	20.5	11.7	25.6	9.38	41	5.86	51.2	4.69
	2	16	15	20.5	11.7	25.6	9.38	32	7.5	51.2	4.69	64	3.75
	2.5	20	12	25.6	9.38	32	7.5	40	6	64	3.75	80	3
	3.2	25.6	9.38	32.8	7.32	41	5.86	51.2	4.69	81.9	2.93	102	2.34
	4	32	7.5	41	5.86	51.2	4.69	64	3.75	102	2.34	128	1.88
	5	40	6	51.2	4.69	64	3.75	80	3	128	1.88	160	1.5
	6.3	50.4	4.76	64.5	3.72	80.6	2.98	101	2.38	161	1.49	202	1.19
	8	64	3.75	81.9	2.93	102	2.34	128	1.88	205	1.17	256	0.94
	10	80	3	102	2.34	128	1.88	160	1.5	256	0.94	320	0.75
	12	96	2.5	123	1.95	154	1.56	192	1.25	307	0.78	384	0.63
25×/9.5B	0.73	9.13	27.4	11.7	21.4	14.6	17.1	18.3	13.7	29.2	8.56	36.5	6.85
	1	12.5	20	16	15.6	20	12.5	25	10	40	6.25	50	5
	1.6	20	12.5	25.6	9.77	32	7.81	40	6.25	64	3.91	80	3.13
	2	25	10	32	7.81	40	6.25	50	5	80	3.13	100	2.5
	2.5	31.3	8	40	6.25	50	5	62.5	4	100	2.5	125	2
	3.2	40	6.25	51.2	4.88	64	3.91	80	3.13	128	1.95	160	1.56
	4	50	5	64	3.91	80	3.13	100	2.5	160	1.56	200	1.25
	5	62.5	4	80	3.13	100	2.5	125	2	200	1.25	250	1
	6.3	78.8	3.17	101	2.48	126	1.98	158	1.59	252	0.99	315	0.79
	8	100	2.5	128	1.95	160	1.56	200	1.25	320	0.78	400	0.63
	10	125	2	160	1.56	200	1.25	250	1	400	0.63	500	0.5
	12	150	1.67	192	1.3	240	1.04	300	0.83	480	0.52	600	0.42
40×/6B	0.73	14.6	16.4	18.7	12.8	23.4	10.3	29.2	8.22	46.7	5.14	58.4	4.11
	1	20	12	25.6	9.38	32	7.5	40	6	64	3.75	80	3
	1.6	32	7.5	41	5.86	51.2	4.69	64	3.75	102	2.34	128	1.88
	2	40	6	51.2	4.69	64	3.75	80	3	128	1.88	160	1.5
	2.5	50	4.8	64	3.75	80	3	100	2.4	160	1.5	200	1.2
	3.2	64	3.75	81.9	2.93	102	2.34	128	1.88	205	1.17	256	0.94
	4	80	3	102	2.34	128	1.88	160	1.5	256	0.94	320	0.75
	5	100	2.4	128	1.88	160	1.5	200	1.2	320	0.75	400	0.6
	6.3	126	1.9	161	1.49	202	1.19	252	0.95	403	0.60	504	0.48
	8	160	1.5	205	1.17	256	0.94	320	0.75	512	0.47	640	0.38
	10	200	1.2	256	0.94	320	0.75	400	0.6	640	0.38	800	0.3
	12	240	1	307	0.78	384	0.63	480	0.5	768	0.31	960	0.25

# Optical data for Leica M205 C / M205 A

Objectives		0.5× planachromatic		0.63× planapochromatic		0.8× planachromatic		1× planachromatic	1× planapochromatic	1.6× planapochromatic		2× planapochromatic	
Working distances		135 mm		97mm	67mm	112mm		59mm	61.5mm	30.5mm		20.1mm	
Eyepieces	Zoom setting	Total mag.	Object field Ø	Total mag.	Object field Ø	Total mag.	Object field Ø	Total mag.	Object field Ø	Total mag.	Object field Ø	Total mag.	Object field Ø
		×	mm	×	mm	×	mm	×	mm	×	mm	×	mm
10×/23B	0.78	3.9	59	4.99	46.1	6.24	36.9	7.8	29.5	12.5	18.4	15.6	14.7
	1.0	5	46	6.4	35.9	8	28.8	10	23	16	14.4	20	11.5
	1.25	6.3	36.8	8	28.7	10	23	12.5	18.4	20	11.5	25	9.2
	1.6	8	28.8	10.2	22.5	12.8	18	16	14.4	25.6	8.98	32	7.19
	2.0	10	23	12.8	18	16	14.4	20	11.5	32	7.19	40	5.75
	2.5	12.5	18.4	16	14.4	20	11.5	25	9.2	40	5.75	50	4.6
	3.2	16	14.4	20.5	11.2	25.6	9	32	7.2	51.2	4.5	64	3.6
	4.0	20	11.5	25.6	8.98	32	7.19	40	5.75	64	3.59	80	2.88
	5.0	25	9.2	32	7.19	40	5.75	50	4.6	80	2.88	100	2.3
	6.3	31.5	7.3	40.3	5.7	50.4	4.56	63	3.65	101	2.28	126	1.83
	8.0	40	5.75	51.2	4.49	64	3.59	80	2.88	128	1.8	160	1.44
	10.0	50	4.6	64	3.59	80	2.88	100	2.3	160	1.44	200	1.15
12.5	62.5	3.68	80	2.88	100	2.3	125	1.84	200	1.15	250	0.92	
16.0	80	2.88	102	2.25	128	1.8	160	1.44	256	0.90	320	0.72	
16×/15B	0.78	6.24	38.5	7.9	19.6	9.98	24	12.5	19.2	20	12	25	9.62
	1.0	8	30	10.1	14.0	12.8	18.8	16	15	25.6	9.38	32	7.5
	1.6	12.8	18.8	16.1	11.2	20.5	11.7	25.6	9.38	41	5.86	51.2	4.69
	2.0	16	15	20.2	9.0	25.6	9.38	32	7.5	51.2	4.69	64	3.75
	2.5	20	12	25.2	7.0	32	7.5	40	6	64	3.75	80	3
	4.0	32	7.5	40.3	5.6	51.2	4.69	64	3.75	102	2.34	128	1.88
	5.0	40	6	50.4	4.5	64	3.75	80	3	128	1.88	160	1.5
	6.3	50.4	4.76	63.5	3.5	80.6	2.98	101	2.38	161	1.49	202	1.19
	8.0	64	3.75	80.6	3.1	102	2.34	128	1.88	205	1.17	256	0.94
	10.0	80	3	100.8	2.8	128	1.88	160	1.5	256	0.94	320	0.75
	12.5	100	2.4	126	2.2	160	1.5	200	1.2	320	0.75	400	0.6
	16.0	128	1.88	161.3	1.8	205	1.17	256	0.94	410	0.59	512	0.47
25×/9.5B	0.78	9.75	25.6	12.5	20	15.6	16	19.5	12.8	31.2	8.01	39	6.41
	1.0	12.5	20	16	15.6	20	12.5	25	10	40	6.25	50	5
	1.6	20	12.5	25.6	9.77	32	7.81	40	6.25	64	3.91	80	3.13
	2.0	25	10	32	7.81	40	6.25	50	5	80	3.13	100	2.5
	2.5	31.3	8	40	6.25	50	5	62.5	4	100	2.5	125	2
	4.0	50	5	64	3.91	80	3.13	100	2.5	160	1.56	200	1.25
	5.0	62.5	4	80	3.13	100	2.5	125	2	200	1.25	250	1
	6.3	78.8	3.17	101	2.48	126	1.98	158	1.59	252	0.99	315	0.79
	8.0	100	2.5	128	1.95	160	1.56	200	1.25	320	0.78	400	0.63
	10.0	125	2	160	1.56	200	1.25	250	1	400	0.63	500	0.5
	12.5	156	1.6	200	1.25	250	1	313	0.8	500	0.5	625	0.4
	16.0	200	1.25	256	0.98	25	9.62	400	0.63	640	0.39	800	0.31
40×/6B	0.78	15.6	15.4	20	12	25	9.62	31.2	7.69	49.9	4.81	62.4	3.85
	1.0	20	12	25.6	9.38	32	7.5	40	6	64	3.75	80	3
	1.6	32	7.5	41	5.86	51.2	4.69	64	3.75	102	2.34	128	1.88
	2.0	40	6	51.2	4.69	64	3.75	80	3	128	1.88	160	1.5
	2.5	50	4.8	64	3.75	80	3	100	2.4	160	1.5	200	1.2
	4.0	80	3	102	2.34	128	1.88	160	1.5	256	0.94	320	0.75
	5.0	100	2.4	128	1.88	160	1.5	200	1.2	320	0.75	400	0.6
	6.3	126	1.9	161	1.49	202	1.19	252	0.95	403	0.60	504	0.48
	8.0	160	1.5	205	1.17	256	0.94	320	0.75	512	0.47	640	0.38
	10.0	200	1.2	256	0.94	320	0.75	400	0.6	640	0.38	800	0.3
	12.5	250	0.96	320	0.75	400	0.6	500	0.48	800	0.3	1000	0.24
	16.0	320	0.75	410	0.59	512	0.47	640	0.38	1024	0.23	1280	0.19



Name	M/Pixel	Sensor	Size	Pixel-Size	Cooling	Interface
DFC295	3	CMOS-c	1/2"	3.2 µm	no	FW/b
DFC290 HD	3	CMOS-c	1/2"	3.2 µm	no	FW/b + HDMI
DFC400	1.4	CCD-c	1/2"	4.65 µm	no	FW/b + Sync
DFC450	5	CCD-c	2/3"	3.4 µm	no	FW/b
DFC450 C	5	CCD-c	2/3"	3.4 µm	yes	FW/b + Sync
DFC495	8	CCD-c	2/3"	2.7 µm	yes	FW/b + Sync
DFC310 FX	1.4	CCD-c	2/3"	6.45 µm	yes	FW/b + Sync
DFC345 FX	2	CCD-m	1/2"	4.4 µm	yes	FW/b + Sync
DFC365 FX	1.4	CCD-m	2/3"	6.45 µm	yes	FW/b + Sync
DFC500	12	CCD-c	2/3"	6.45 µm	yes	FW/a + Sync

-c: color / -m: monochrome

V1 - 2012

## Digital camera systems

- 12 730 469 Leica DFC295 camera kit\*
- 12 730 468 Leica DFC290 HD camera kit
- 12 730 470 Leica DFC400 camera kit
- 12 730 411 Leica DFC450 camera kit
- 12 730 412 Leica DFC450 C camera kit
- 12 730 471 Leica DFC495 camera kit
- 11 547 001 Leica DFC310 FX camera kit for Mac\*
- 11 547 002 Leica DFC310 FX camera kit for PC
- 11 547 003 Leica DFC345 FX camera kit
- 11 547 004 Leica DFC365 FX camera kit
- 12 730 066 Leica DFC500 camera kit\*
- 12 730 054 Leica IC D camera kit\*
- 12 730 060 Leica IC 3D camera kit\*

## \*Mac-Support

- 12 730 216 Leica IC80 HD camera (incl. USB cable and LAS EZ software)
- not recommended for MZ10 F / M165 FC / M205 FA
- 12 730 228 Stand-alone kit (USB power pack, video cable, HDMI-cable, SD card, HD RC remote control) for IC80 HD
- 12 730 229 Palm or foot switch with 2m cable for IC80 HD

## Digital camera system accessories

- 12 446 120 FireWire cable, FW-a-a, 2.5 m, 6-pin to 6-pin
- 12 730 186 FireWire cable, FW-b-b, 2.5 m, 9-pin to 9-pin
- 12 730 187 FireWire cable, FW-a-b, 2.5 m, 6-pin to 9-pin
- 12 730 211 HDMI cable, 3m, HDMI both ends
- 12 730 183 OHCI FireWire PCI32 card, FWa+b+USB2
- 12 730 210 OHCI FireWire PCI express card, FW-b
- 12 730 446 FW-b Notebook Kit (includes PCcard Express, power supply: 100-240 V, 24 W, adapter FW-b-a)
- 12 730 447 OHCI FireWire PCI express card Low Profile, FW-b
- 12 730 225 PowerKit for DFC290 HD, FW-b

## Photo tubes and C-mounts

- 10 447 319 Adapter T2, Canon EOS
- 10 447 436 1.6x DSLR tube with T2 thread (APS-C sensor)
- 10 446 175 2.5x DSLR tube with T2 thread (24x36 mm sensor)
- 10 445 928 0.32x video objective with C-mount for 1/3" digital cameras
- 10 445 929 0.5x video objective with C-mount for 1/2" digital cameras
- 10 447 367 0.63x video objective with C-mount for 2/3" digital cameras
- 10 446 307 0.8x video objective with C-mount for 2/3" digital cameras
- 10 445 930 1.0x video/photo objective
- 10 450 317 1.0x C-mount-adapter for HC

## Eyepieces and tubes

- 10 450 196 Replacement eyecups for wide-field eyepieces for eyeglass wearers
- 10 450 023 Wide-field eyepieces for eyeglass wearers 10x/23, distortion-free, dioptic correction, with eyecups\*
- 10 450 024 Wide-field eyepieces for eyeglass wearers 16x/15, distortion-free, dioptic correction, with eyecups\*
- 10 450 025 Wide-field eyepieces for eyeglass wearers 25x/9.5, distortion-free, dioptic correction, with eyecups\*
- 10 450 026 Wide-field eyepieces for eyeglass wearers 40x/6, distortion-free, dioptic correction, with eyecups\*

\* replaceable

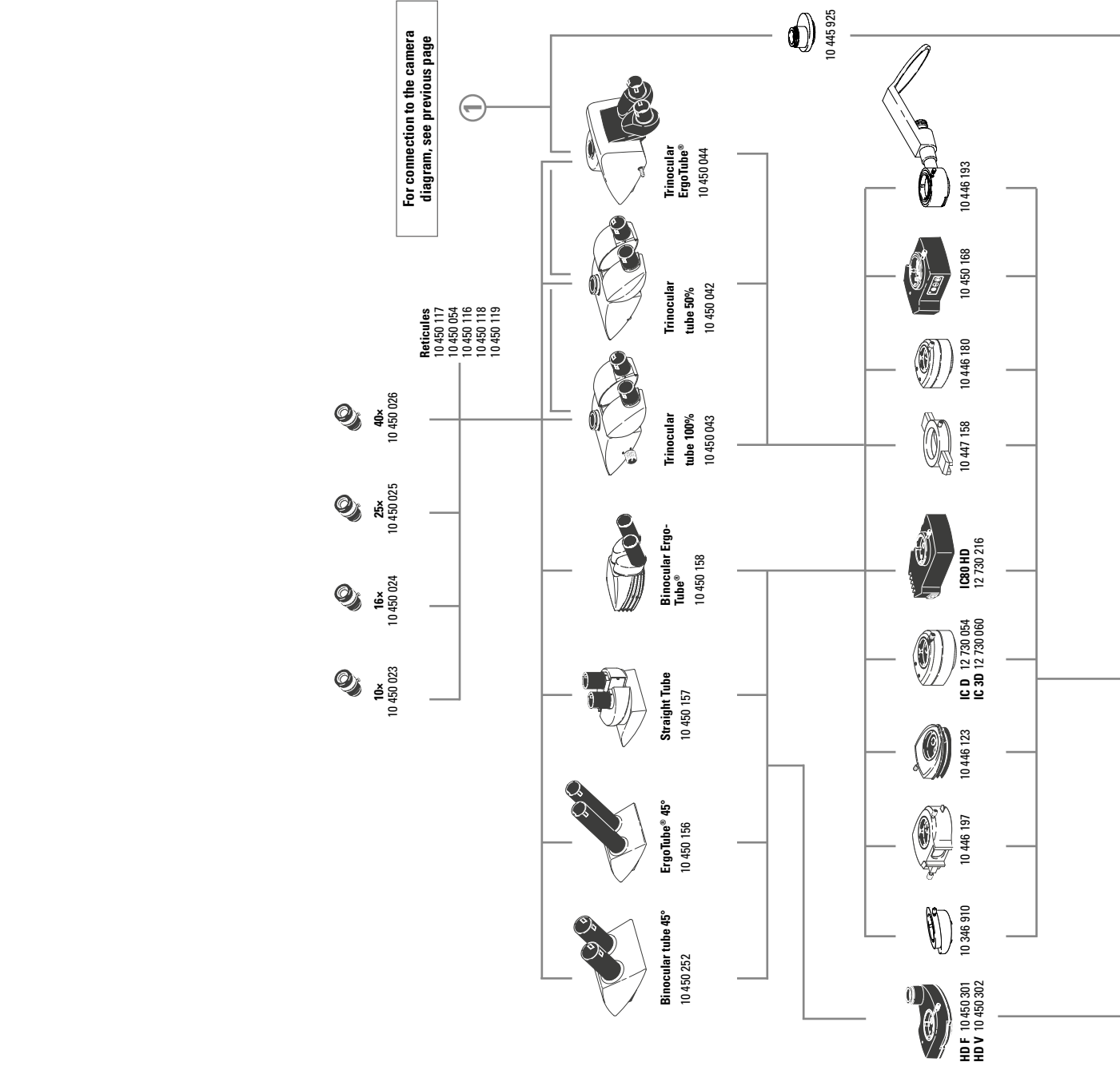
- 10 450 117 Reticule 10 mm / 0.1 mm
- 10 450 054 Reticule for M-series with encoding
- 10 450 116 Reticule, 5 mm / 0.05 mm
- 10 450 118 Reticule, 100 scale intervals / 0.001"
- 10 450 119 Reticule, crosshair
- 10 450 336 Reticule 12 mm
- 10 450 314 Blank reticule glass for individual marking, with holder
- 10 450 252 Inclined binocular tube, 45° viewing angle
- 10 450 156 Binocular ErgoTube® with 45° viewing angle and long tubes
- 10 450 157 Straight binocular tube with 90° viewing angle
- 10 450 158 Binocular ErgoTube® with variable 10° – 50° viewing angle
- 10 450 042 Trinocular video / phototube 50%, 30° viewing angle
- 10 450 044 Trinocular video / phototube 100%, 30° viewing angle
- 10 450 044 Trinocular video / phototube 100%, 5° – 45° viewing angle
- 10 446 123 ErgoWedge® 5° – 25°
- 10 346 910 ErgoWedge® ±15
- 10 446 197 Video/phototube HD-50
- 10 450 301 Video/photo tube HD-F, 50%, 50%
- 10 450 302 Video/photo tube HD-V, 100%, 50%, 50%, 100%
- 12 730 054 Leica IC D camera kit
- 12 730 060 Leica IC 3D camera kit
- 12 730 216 Leica IC80 HD camera kit
- 10 447 158 Filter slide housing with 2 filter slides
- 10 446 180 Coaxial incident-light housing for fiber-optic light
- 10 445 925 Video/photo tube A
- 10 446 193 Drawing tube

## Zoom systems and accessories

- 10 450 034 Leica M125, 12.5:1 zoom system, apochromatic
- 10 450 035 Leica M165 C, 16.5:1 zoom system, apochromatic, electronically encoded
- 10 450 036 Leica M205 C, 20.5:1 zoom system, apochromatic, electronically coded, with FusionOptics™
- 10 450 037 Leica M205 A, 20.5:1 zoom, apochr. corr., motorized, with FusionOptics™
- 10 450 045 Objective nosepiece for quickly changing two objectives
- 10 450 047 Microscope carrier AX with toggle feature for axial photography
- 10 450 201 Ergo-Intermediate™ adapter
- 10 450 104 Microscope carrier for MZ series optics carriers
- 10 450 265 Arm for attaching waveguides

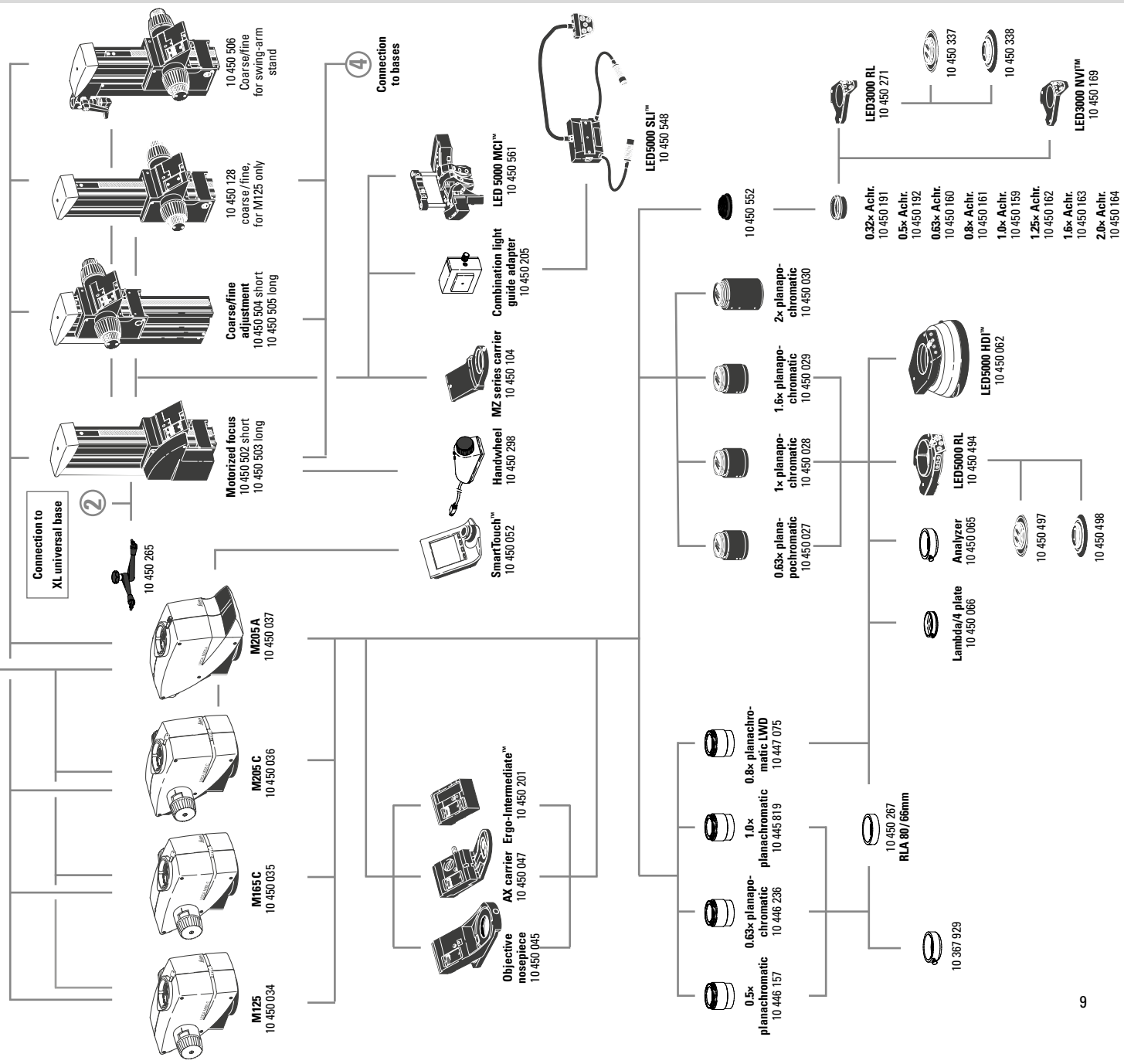
## Objectives and optical accessories

- 10 446 157 Planachromatic objective 0.5x, working distance 135 mm, Ø 66 mm
- 10 447 075 Planachromatic objective 0.8x, working distance 112 mm, Ø 66 mm
- 10 445 819 Planachromatic objective 1x, working distance 59 mm, Ø 66 mm
- 10 446 236 Planapochromatic objective 0.63x, working dist. 97 mm, Ø 66 mm
- 10 450 027 Planapochromatic objective 0.63x, working dist. 67 mm, Ø 80 mm

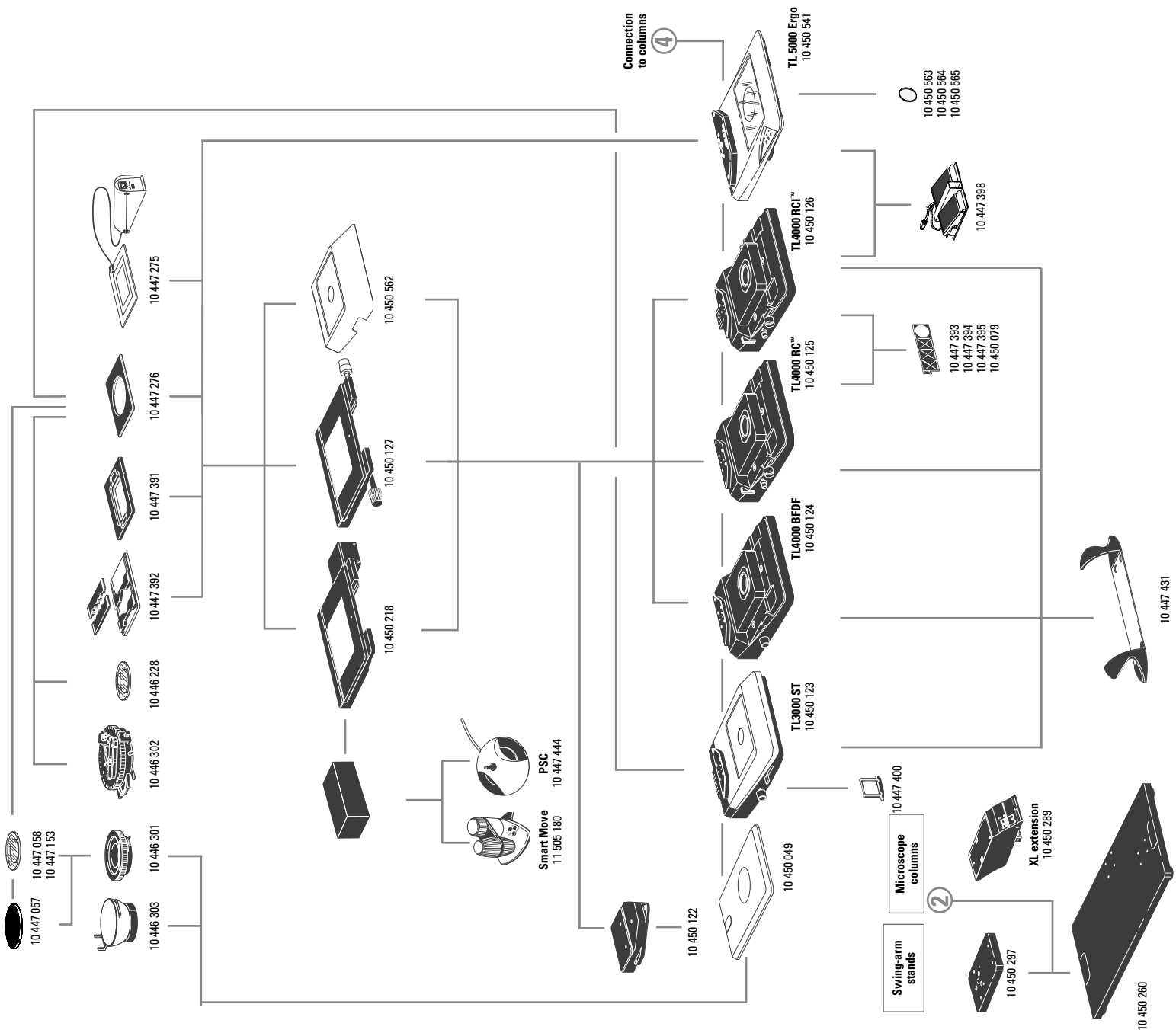




- 10 450 028 Planapochromatic objective 1.0x, working dist. 61.5 mm, Ø 80mm
- 10 450 029 Planapochromatic objective 1.6x, working dist. 30.5 mm, Ø 80mm
- 10 450 030 Planapochromatic objective 2x, working dist. 20.1 mm, Ø 85mm
- 10 450 191 Achromatic objective 0.32x, working distance 303 mm, Ø 58 mm
- 10 450 192 Achromatic objective 0.5x, working distance 188.5 mm, Ø 58 mm
- 10 450 160 Achromatic objective 0.63x, working distance 148 mm, Ø 58 mm
- 10 450 161 Achromatic objective 0.8x, working distance 114 mm, Ø 58 mm
- 10 450 159 Achromatic objective 1.0x, working distance 89.6 mm, Ø 58 mm
- 10 450 162 Achromatic objective 1.25x, working distance 65.5 mm, Ø 58 mm
- 10 450 163 Achromatic objective 1.6x, working distance 46 mm, Ø 58 mm
- 10 450 164 Achromatic objective 2x, working distance 41.5 mm, Ø 58 mm
- 10 450 552 Adapter with outer diameter M65 x 1 / inner Ø M60 x 1.5
- 10 450 065 Analyzer in rotatable mount, Ø 80 mm, for planachromatic and planapochromatic Ø 80 mm
- 10 450 066 Quarter-wave plate, Ø 80 mm, for use with microscope carrier AX with coaxial incident light
- 10 367 929 Analyzer in revolving mount for planachromatic and planapochromatic Ø 66 mm
- Illumination**
- 10 450 494 LED5000 RL-80/40 – Ring illuminator, 2nd generation, for Ø 80 mm objectives, 40 power LEDs, 5600 K color temperature, optimized LED auxiliary lens, selectable segments, working distance: 50 – 80mm
- 10 450 497 Polarization set for Leica LED5000 RL-80/40
- 10 450 498 Diffuser for Leica LED5000 RL-80/40
- 10 450 267 RLA 80/66 Ring illuminator adapter for LED5000 RL for objectives with Ø 66mm
- 10 450 548 LED5000 SLI™, spotlight illumination, double-armed gooseneck 500mm long, with 2 power LEDs, 5600 K color temperature, control unit on separate gooseneck, incl. diffuser pair
- 10 450 561 LED5000 MCI™, multi-contrast illumination, 2nd generation; with 9 power LEDs, 2 movable illuminator arcs
- 10 450 168 LED5000 CXI™ – coaxial LED incident-light illumination, 1.5x magnification factor
- 10 450 062 LED5000 HDI™, diffuse illumination, FlexiDome™, ideal for highly reflective specimens
- 10 450 205 Combination light guide-adaptor to focusing columns of the high-performance M series, for LED5000 SLI™
- 10 450 271 LED3000 RL – ring illuminator, Ø 58mm objectives, 24 power LEDs, 5600 K color temperature, optimized LED auxiliary lens, selectable segments, optimized for 60–150mm working distance
- 10 450 337 Polarization set for Leica LED3000 RL
- 10 450 338 Diffuser for Leica LED3000 RL
- 10 450 169 LED3000 NVI™ – vertical illuminator for Ø 58mm objectives, for 60 – 150mm working distance
- 10 450 266 Power supply for LED3000/LED5000
- Incident-light and transmitted-light bases**
- 10 450 049 Incident-light base
- 10 450 123 Transmitted-light base TL ST
- 10 450 124 Transmitted-light base BFDF
- 10 450 125 Transmitted-light base TL RC™ for external cold light sources
- 10 450 126 Transmitted-light base TL RC™ with integr. halogen illumination
- 10 450 541 Transmitted-light base TL5000 Ergo with integr. LED illumination
- 10 450 260 Universal base XL for specimens up to 300 x 300mm
- 10 450 297 Adapter for base 10 450 260 for all swinging-arm columns
- 10 450 289 XL extension – for positioning Leica stereomicroscopes on universal base 10 450 260



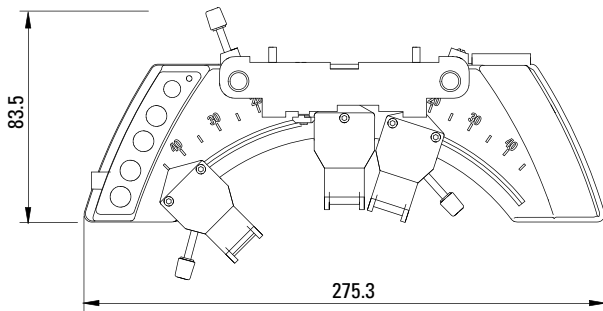
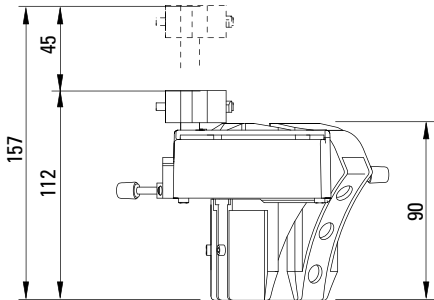
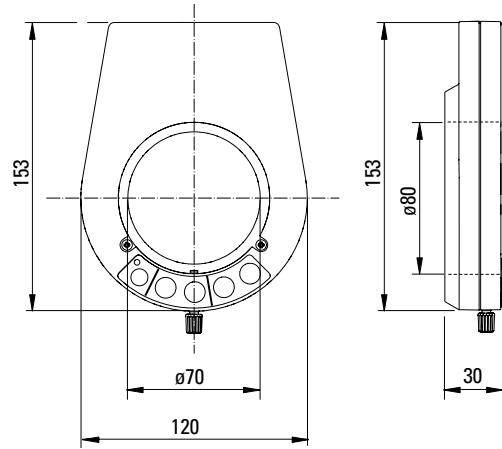
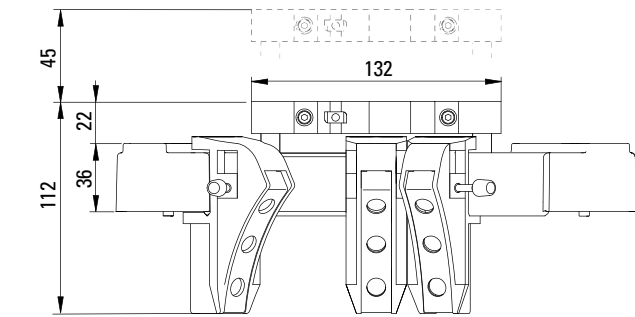
- Stages**
- 10 447 269 Standard stage for transmitted-light bases TL BFDf, TL RC™ and TL RCi™
  - 10 450 127 Leica IsoPro™ Manual Cross-stage for transmitted-light bases TL BFDf, TL RC™, TL RCi™ and incident-light base (with 10 450 122 adapter)
  - 10 450 218 Leica IsoPro™ Motorized Cross-stage for transmitted-light bases TL BFDf, TL RC™, TL RCi™ and incident-light base (with 10 450 122 adapter)
  - 10 450 122 Adapter between cross-stage and incident-light base 10 450 049
  - 10 447 275 Leica MATS TL heating stage insert with control unit for TL bases
  - 10 447 276 Adapter for stages with Ø120 mm
  - 10 447 391 Stage for LiveOnStage accessories
  - 10 447 392 Universal carrier for Petri dishes, specimen slides (up to four) etc.
  - 10 446 301 Gliding stage, Ø 120 mm
  - 10 446 302 Polarization stage, Ø120 mm
  - 10 382 130 Attachable mechanical stage for polarization stage
  - 10 361 719 Sensitive-tint plate for Pol rotating stage
  - 10 446 303 Cup stage, Ø 120 mm
  - 33 000 600 Cup stage, Ø 120 mm, surface Ø 150 mm, revolving
  - 10 446 228 Glass insert with Pol, Ø 120 mm
  - 10 450 058 Stage plate, b/w for TL bases
  - 10 450 059 Additional buttons for IsoPro™ Manual Cross-stage
- Focusing drive**
- 10 450 504 Coarse/fine focusing drive with profile column 420 mm
  - 10 450 505 Coarse/fine focusing drive with profile column 620 mm
  - 10 450 502 Motorized focus with profile column 420 mm
  - 10 450 503 Motorized focus with profile column 620 mm
  - 10 450 506 Focusing drive coarse/fine for swing-arm stand
  - 10 450 128 Focusing drive coarse/fine for M125
- Filters**
- 10 447 400 Daylight filter for TL ST base
  - 10 447 394 BG38 filter for TL RC™/RCi™ transmitted-light base
  - 10 447 395 UV filter for TL RC™/RCi™ base
  - 10 447 393 ND filter (gray filter) for TL RC™/RCi™ base
  - 10 450 079 Daylight filter for TL RCi™ base
  - 10 450 563 Milk glass filter for TL5000 Ergo
  - 10 450 564 Green filter for TL5000 Ergo
  - 10 450 565 Polarization filter for TL5000 Ergo
- Controls**
- 10 447 443 Leica USB mouse, freely programmable, five-button mouse for connection to TL RCi™ transmitted-light base or PC
  - 11 505 180 Leica Smart Move control unit for
  - 10 447 444 Leica IsoPro™ motorized cross-stage
  - 10 447 444 Leica PSC control unit for
  - 10 450 052 Leica IsoPro™ motorized cross-stage
  - SmartTouch™, external control unit with integrated touchscreen for status control and control of all settings and functions
  - 10 450 298 Manual controller for motorized focus
- Ergonomic accessories**
- 10 447 431 Leica ErgoRest™ handrest for fatigue-free working



# LED5000 MCI™

# LED5000 RL

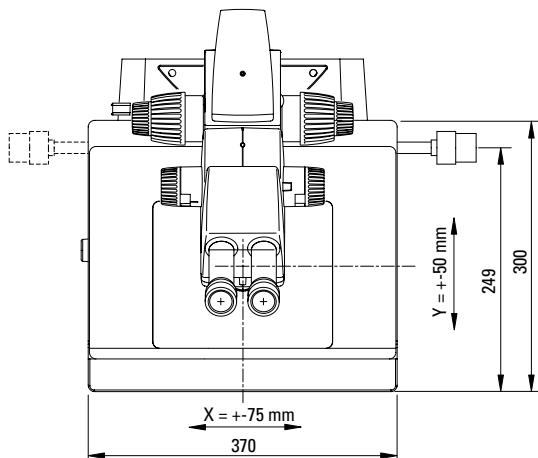
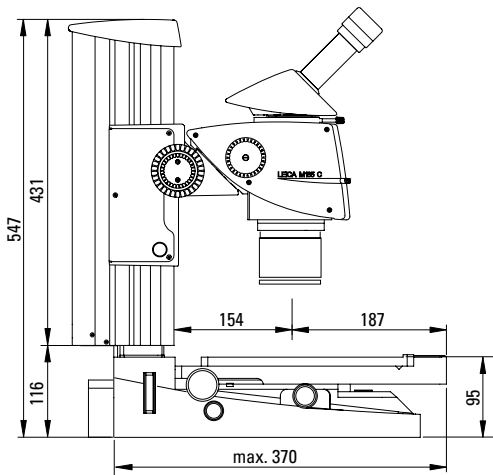
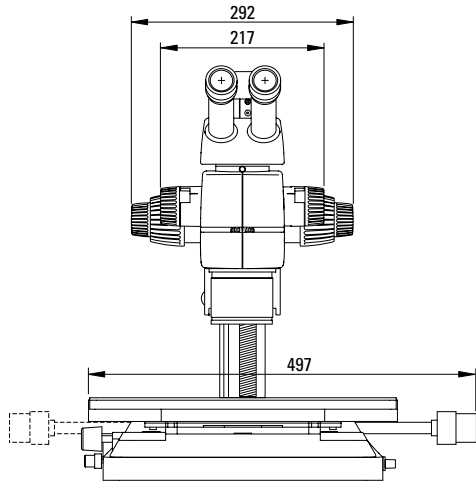
Dimensions in mm



# Leica M165 C/M125 Dimensions

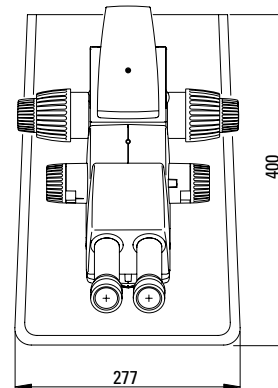
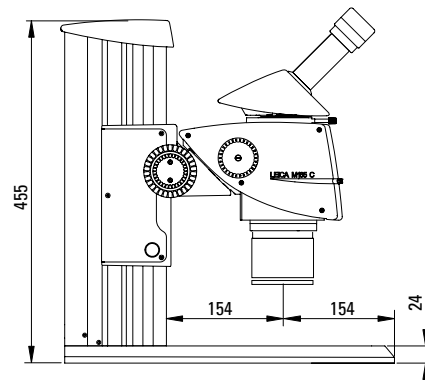
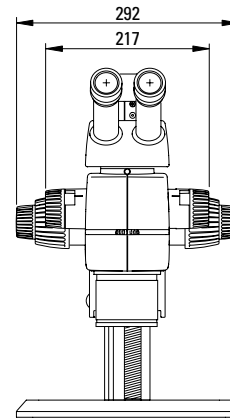
with TL4000 TL RC™ transmitted-light base, Leica IsoPro™ Manual Cross-stage and manual focusing drive

Dimensions in mm



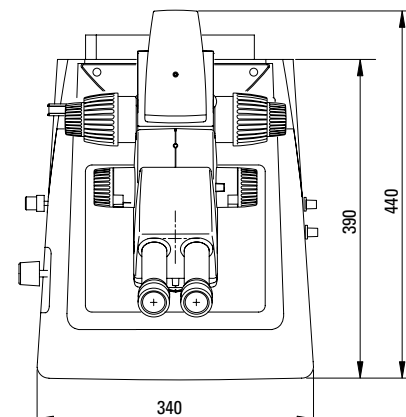
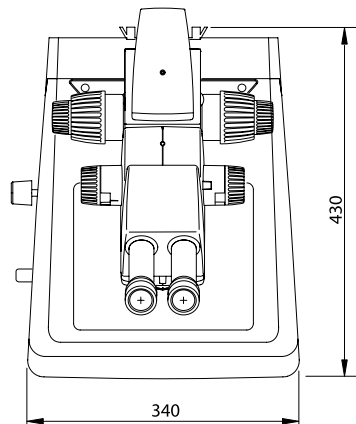
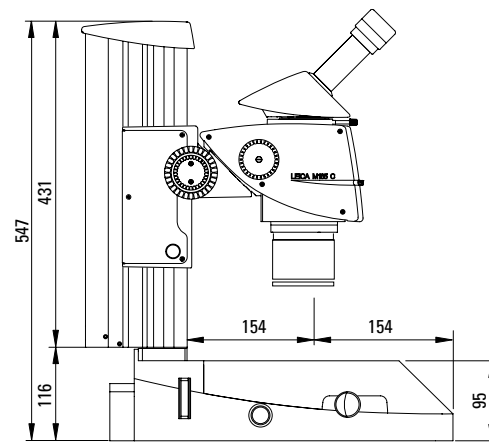
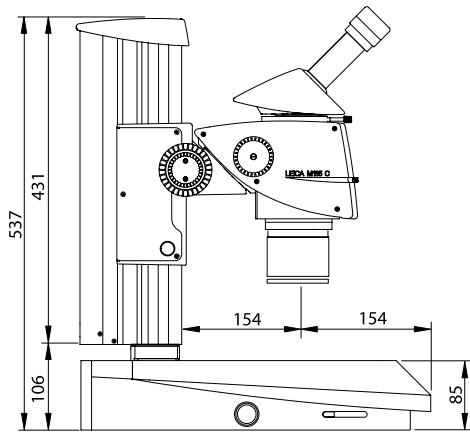
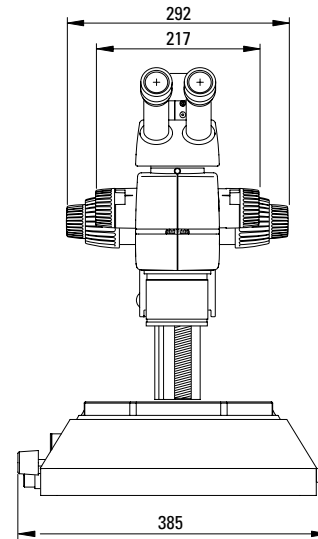
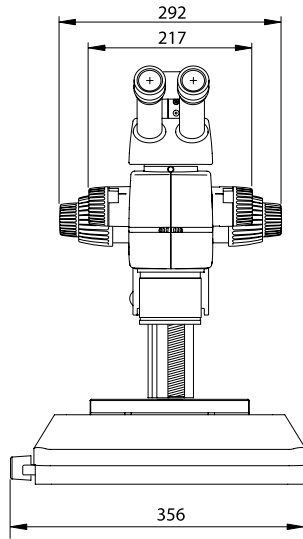
# Leica M165 C/M125 Dimensions

with incident-light base and new focusing column



## Leica M165 C/M125 Dimensions with TL3000 ST transmitted-light base and manual focus

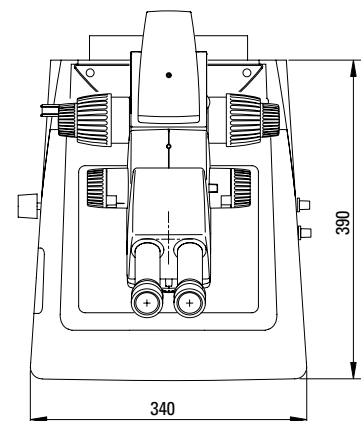
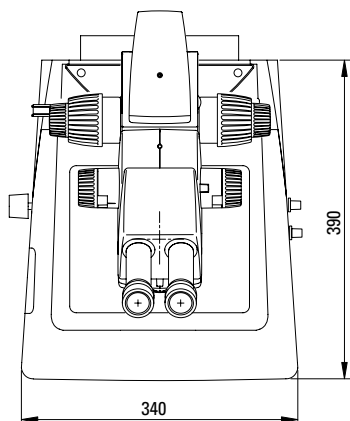
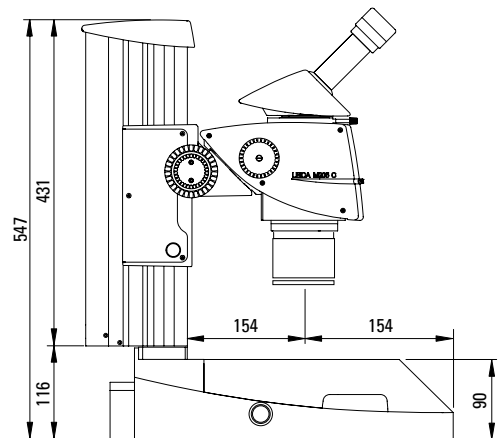
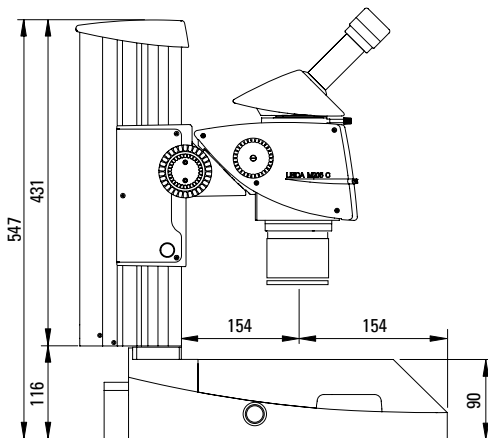
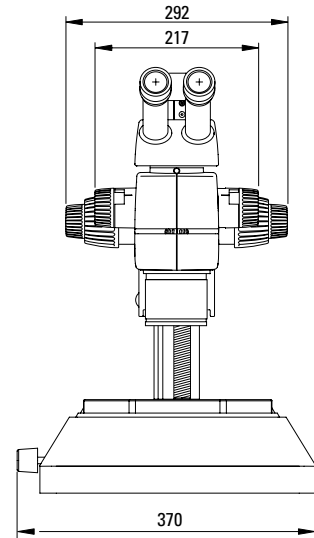
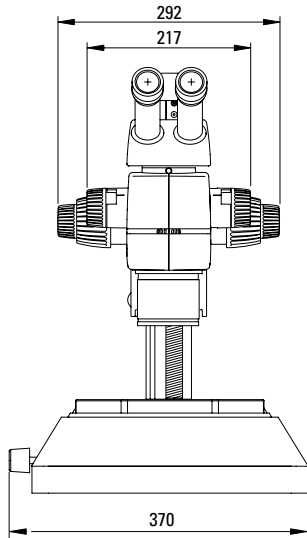
Dimensions in mm



# Leica M205 C Dimensions

with TL5000 Ergo transmitted-light base  
and manual focusing drive

Dimensions in mm



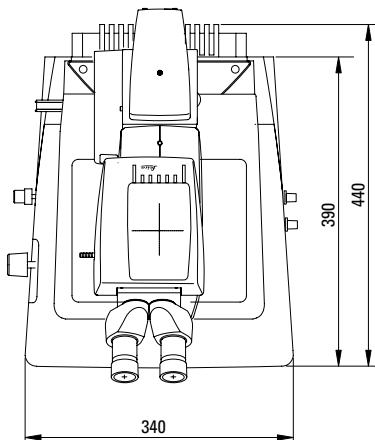
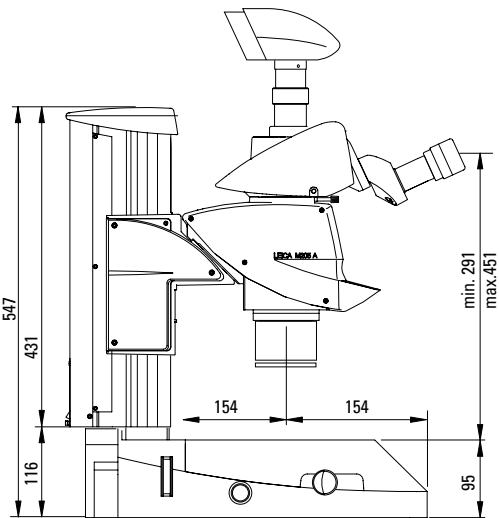
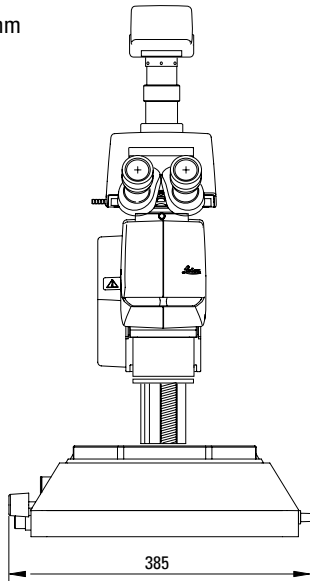
# Leica M205 C Dimensions

with TL4000 BDFD transmitted-light base  
and manual focusing drive

# Leica M205 A Dimensions

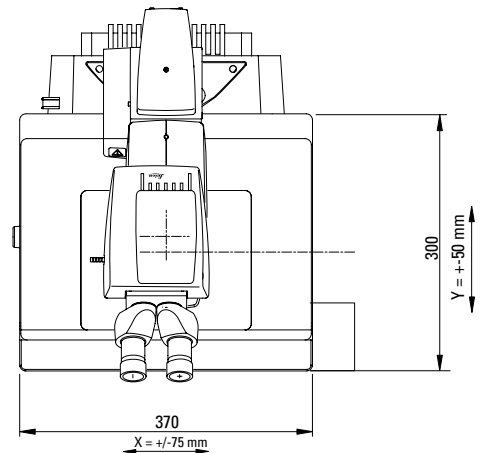
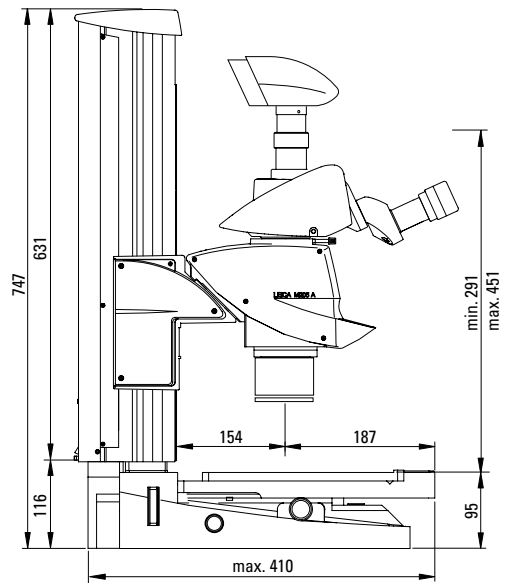
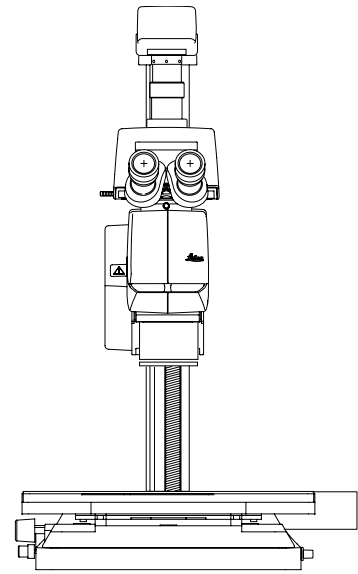
with TL4000 RCI™ transmitted-light base and motorized focus

Dimensions in mm



# Leica M205 A Dimensions

with TL4000 RCI™ transmitted-light base,  
Leica IsoPro™ Motorized Cross-stage and motorized focus



The statement by Ernst Leitz in 1907, “*With the User, For the User,*” describes the fruitful collaboration with end users and driving force of innovation at Leica Microsystems. We have developed five brand values to live up to this tradition: Pioneering, High-end Quality, Team Spirit, Dedication to Science, and Continuous Improvement. For us, living up to these values means: **Living up to Life.**

Leica Microsystems operates globally in four divisions, where we rank with the market leaders.

#### LIFE SCIENCE DIVISION

The Leica Microsystems Life Science Division supports the imaging needs of the scientific community with advanced innovation and technical expertise for the visualization, measurement, and analysis of microstructures. Our strong focus on understanding scientific applications puts Leica Microsystems’ customers at the leading edge of science.

#### INDUSTRY DIVISION

The Leica Microsystems Industry Division’s focus is to support customers’ pursuit of the highest quality end result. Leica Microsystems provide the best and most innovative imaging systems to see, measure, and analyze the microstructures in routine and research industrial applications, materials science, quality control, forensic science investigation, and educational applications.

#### BIOSYSTEMS DIVISION

The Leica Microsystems Biosystems Division brings histopathology labs and researchers the highest-quality, most comprehensive product range. From patient to pathologist, the range includes the ideal product for each histology step and high-productivity workflow solutions for the entire lab. With complete histology systems featuring innovative automation and Novocstra™ reagents, Leica Microsystems creates better patient care through rapid turnaround, diagnostic confidence, and close customer collaboration.

#### MEDICAL DIVISION

The Leica Microsystems Medical Division’s focus is to partner with and support surgeons and their care of patients with the highest-quality, most innovative surgical microscope technology today and into the future.

Leica Microsystems – an international company with a strong network of worldwide customer services:

Active worldwide		Tel.	Fax
Australia · North Ryde	+61	2 8870 3500	2 9878 1055
Austria · Vienna	+43	1 486 80 50 0	1 486 80 50 30
Belgium · Groot Bijgaarden	+32	2 790 98 50	2 790 98 68
Canada · Concord/Ontario	+1	800 248 0123	847 405 0164
Denmark · Ballerup	+45	4454 0101	4454 0111
France · Nanterre Cedex	+33	811 000 664	1 56 05 23 23
Germany · Wetzlar	+49	64 41 29 40 00	64 41 29 41 55
Italy · Milan	+39	02 574 861	02 574 03392
Japan · Tokyo	+81	3 5421 2800	3 5421 2896
Korea · Seoul	+82	2 514 65 43	2 514 65 48
Netherlands · Rijswijk	+31	70 4132 100	70 4132 109
People’s Rep. of China · Hong Kong	+852	2564 6699	2564 4163
· Shanghai	+86	21 6387 6606	21 6387 6698
Portugal · Lisbon	+351	21 388 9112	21 385 4668
Singapore	+65	6779 7823	6773 0628
Spain · Barcelona	+34	93 494 95 30	93 494 95 32
Sweden · Kista	+46	8 625 45 45	8 625 45 10
Switzerland · Heerbrugg	+41	71 726 34 34	71 726 34 44
United Kingdom · Milton Keynes	+44	800 298 2344	1908 246312
USA · Buffalo Grove/Illinois	+1	800 248 0123	847 405 0164